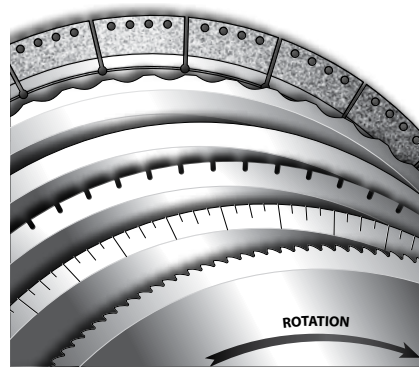


Introduction

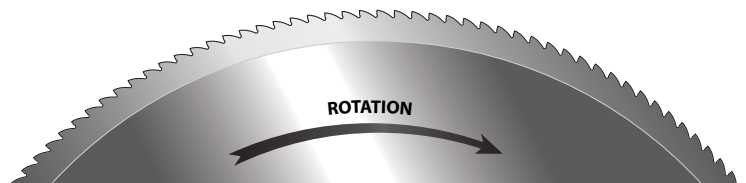
Choosing the ideal blade for cutting hydraulic hose depends greatly on the saw you are using, the type of hose you are cutting and the production rates you require. Eaton offers the following 6 types of blades designed to cut hydraulic hose. If you're not sure which is best suited to your application please call us for our recommendation. Eaton blades are manufactured in: M-2, D-2, M-35, & High Speed Steels.



Advanced Scalloped Blade

Features advanced performance scalloped blade technology for cutting hydraulic spiral hose and wire helix hose resulting in cleaner cuts, faster cuts, no smoke, and longer blade life.

Available in 6" to 14" sizes to fit Eaton, Aeroquip, Custom Crimp, Gates, Goodyear, Imperial Eastman, Parker, Stratoflex, Toledo, and Weatherhead saws.



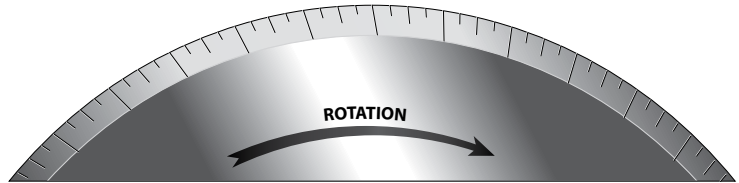
Model	Diameter	Thickness	Arbor	Eaton Saw
ET9500C-06-AS	6"	.093"	5/8"	
ET9500C-07-AS	7"	.093"	5/8"	
ET9100C-07-AS	7"	.093"	3/4"	ET9100
ET9500C-08-AS	8"	.093"	5/8"	
ET9500C-10-AS	10"	.093"	3/4"	
ET9500C-10-1-AS	10"	.125"	1"	
ET9200C-10-AS	10"	.125"	40mm	ET9200
ET9500C-12-AS	12"	.125"	1"	
ET9500C-14-AS	14"	.125"	1"	
ET9300C-14-AS	14"	.160"	40mm	ET9300

Micro-Slotted Smooth Edge Hydraulic Hose Blade

Features “new” micro-slotted smooth edge blade technology combining the better finishes of a double bevel blade with the more aggressive performance of a slotted blade. This is our most universal blade grind and will give you two times longer blade life than smooth edge blades. Used for cutting spiral hose, industrial hose, Teflon, PTFE, Kevlar, and metal hose.

Available in 6” to 14” sizes to fit Eaton, Aeroquip, Custom Crimp, Gates, Goodyear, Imperial Eastman, Parker, Stratoflex, Toledo, and Weatherhead saws.

Also available in 16” to 36” sizes to fit Hydroscand, Finn Power, Marken, O+P, Savage, Stone, Techmafex and Uniflex saws.

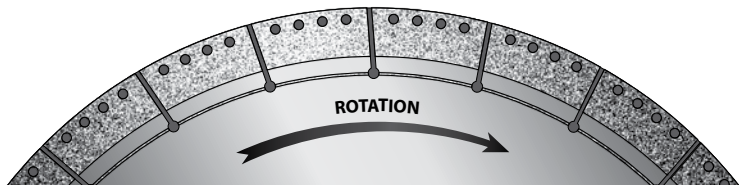


Model	Diameter	Thickness	Arbor	Eaton Saw
ET9500C-06-MS	6"	.093"	5/8"	
ET9500C-07-MS	7"	.093"	5/8"	
ET9100C-07-MS	7"	.093"	3/4"	ET9100
ET9500C-08-MS	8"	.093"	5/8"	
ET9500C-10-MS	10"	.062"	5/8"	
ET9500C-10-1-MS	10"	.093"	3/4"	
ET9200C-10-1-MS	10"	.093"	40mm	ET9200
ET9500C-10-2-MS	10"	.125"	1"	
ET9200C-10-MS	10"	.125"	40mm	ET9200
ET9500C-12-MS	12"	.093"	1"	
ET9500C-12-1-MS	12"	.125"	1"	
ET9500C-14-MS	14"	.125"	1"	
ET9300C-14-MS	14"	.160"	40mm	ET9300
ET9500C-16-MS	16"	.160"	1"	
ET9500C-18-MS	18"	.160"	1"	
ET9500C-20-MS	20"	.160"	1"	
ET9500C-22-MS	22"	.160"	1"	
ET9500C-24-MS	24"	.160"	1"	
ET9500C-26-MS	26"	.160"	1"	

Diamond Hydraulic Hose Blade

Exclusively designed for cutting heavy 4 and 6 wire spiral hydraulic hoses. This diamond grinding technology cuts down by 60% the debris while cutting heavy hoses very quickly as opposed to using abrasive wheels. You will get a fantastic finish and make 5 – 10 second cuts in 2” hose.

Available in 10” & 14” diameters to fit Eaton Hydraulic Hose Saws only.



Model	Diameter	Thickness	Arbor	Eaton Saw
ET9200C-10-D	10"	.125"	40mm	ET9200
ET9300C-14-D	14"	.160"	40mm	ET9300

Smooth Beveled Edge Hydraulic Hose Blade

Smooth edge blade designed for the best finish when cutting light duty hoses like single wire braid, textile reinforced, Poly or Nylon reinforced and Teflon hoses.

Available in sizes 6" -36" to fit Eaton, Aeroquip, Custom Crimp, Finn Power, Gates, Goodyear, Hydroscand, Imperial Eastman, Marken, O+P, Parker, Savage, Stone, Stratoflex, Techmaflex, Toledo, Uniflex and Weatherhead saws.

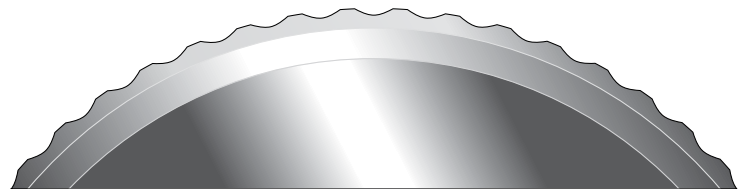


Model	Diameter	Thickness	Arbor	Eaton Saw
ET9500C-07-SM	7"	.093"	5/8"	
ET9100C-07-SM	7"	.093"	3/4"	ET9100
ET9500C-08-SM	8"	.093"	5/8"	
ET9500C-10-SM	10"	.062"	5/8"	
ET9500C-10-1-SM	10"	.093"	3/4"	
ET9200-10-1-SM	10"	.093"	40mm	ET9200
ET9500C--10-2-SM	10"	.125"	1"	
ET9200C-10-SM	10"	.125"	40mm	
ET9500C-12-SM	12"	.093"	1"	
ET9500C-12-1-SM	12"	.125"	1"	
ET9500C-14-SM	14"	.125"	1"	
ET9300C-14-SM	14"	.160"	40mm	ET9300
ET9500C-16-SM	16"	.160"	1"	
ET9500C-18-SM	18"	.160"	1"	
ET9500C-20-SM	20"	.160"	1"	
ET9500C-22-SM	22"	.160"	1"	
ET9500C-24-SM	24"	.160"	1"	
ET9500C-26-SM	26"	.160"	1"	

Notched Scalloped Hydraulic Hose Blade

Notched scalloped blades are designed for rough duty cutting on spiral hose up to 6 wire.

Available in sizes 6"-14" to fit Eaton, Aeroquip, Custom Crimp, Gates, Goodyear, Hydroscand, Imperial Eastman, O+P, Parker, Savage, Stone, Stratoflex, Toledo and Weatherhead.

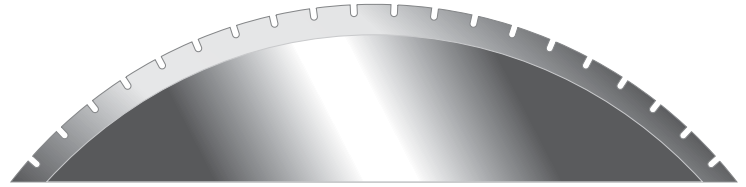


Model	Diameter	Thickness	Arbor	Eaton Saw
ET9500C-07-SC	7"	.093"	5/8"	
ET9100C-07-SC	7"	.093"	3/4"	ET9100
ET9500C-08-SC	8"	.093"	5/8"	
ET9500C-10-SC	10"	.093"	3/4"	
ET9500C-10-1-SC	10"	.125"	1"	
ET9200C-10-SC	10"	.125"	40mm	ET9200
ET9500C-12-SC	12"	.125"	1"	
ET9500C-14-SC	14"	.125"	1"	

Slotted Smooth Hydraulic Hose Blade

Designed for cutting 4 to 6 wire spiral hoses, this high performance heavy duty slotted blade reduces pinching by skiving the sides of the hose while cutting.

Available in sizes 16" to 36" to fit on Finn Power, Hydroscand, Marken, O+P, Savage, Stone, Stratoflex, Techmaflex and Uniflex saws.



Model	Diameter	Thickness	Arbor	Eaton Saw
ET9500C-07-SL	7"	.093"	5/8"	
ET9100C-07-SL	7"	.093"	3/4"	ET9100
ET9500C-08-SL	8"	.093"	5/8"	
ET9500C-10-SL	10"	.062"	5/8"	
ET9500C-10-1-SL	10"	.093"	3/4"	
ET9200C-10-1-SL	10"	.093"	40mm	ET9200
ET9500C-10-2-SL	10"	.125"	3/4"	
ET9500C-10-3-SL	10"	.125"	1"	
ET9200C-10-SL	10"	.125"	40mm	ET9200
ET9500C-12-SL	12"	.093"	1"	
ET9500C-12-1-SL	14"	.125"	1"	
ET9500C-14-SL	14"	.125"	1"	
ET9300C-14-SL	14"	.160"	40mm	ET9300
ET9500C-16-SL	16"	.160"	1"	
ET9500C-18-SL	18"	.160"	1"	
ET9500C-20-SL	20"	.160"	1"	
ET9500C-20-1-SL	20"	.160"	40mm	
ET9500C-21-SL	21"	.160"	38mm	
ET9500C-22-SL	22"	.160"	50mm	
ET9500C-24-SL	24"	.160"	1"	
ET9500C-26-SL	26"	.160"	1"	

Eaton
Hydraulics Group USA
14615 Lone Oak Road
Eden Prairie, MN 55344
USA
Tel: 952-937-9800
Fax: 952-294-7722
www.eaton.com/hydraulics

Eaton
Hydraulics Group Europe
Route de la Longeraie 7
1110 Morges
Switzerland
Tel: +41 (0) 21 811 4600
Fax: +41 (0) 21 811 4601

Eaton
Hydraulics Group Asia Pacific
Eaton Building
No. 7, No. 3 Lane 280
Linhong Rd.
Changning District
Shanghai 200335
China
Tel: (+86 21) 5200 0099
Fax: (+86 21) 5200 0400